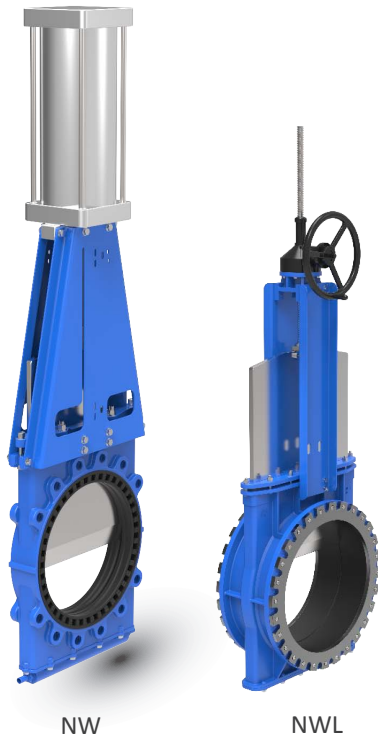


NW/NWL

Series

Bi-directional Sealing Knife Gate Valve with 2 seat rings



NW

NWL

Features:

- Bi-directional seal
- Additional seat
- Self-sealing design suitable for a variety of different conditions
- Easy cleaning achieved with a removable disc construction

Model:	NW	NWL
Working Pressure:	DN50-DN100/2"-4" 16bar	DN50-DN100/2"-4" 20bar
	DN125-DN200/5"-8" 10bar	DN125-DN200/5"-8" 16bar
	DN250-DN400/10"-16" 7bar	DN250-DN1000/10"-40" 10bar
	DN600-DN700/24"-28" 3bar	DN1000-DN1400/40"-56" 6bar
	DN800-DN900/32"-36" 2bar	
	DN1000-DN1400/40"-56" 1bar	

Type: Wafer, Lug, Flange

Design Standard: MSS SP-81

Flange Standard: DIN EN 1092 / ANSI B16.5 / others

Face to Face: MSS SP-81 / customer specification

Testing Standard: DIN EN 12266 / API-598

Operation: handwheel, electric, pneumatic, hydraulic, sprocket, electro-hydraulic, gear

Body material: F55, F53, CF3M, CF8M, CF8, WCB, GGG40, customer specification

Wedge material: CF3M, CF3, CF8M, CF8, WCB, GGG40, F55, F53, 2205, SS310, SS316L, SS316, SS304, customer specification

Sealing material: NBR, EPDM, FKM, PTFE, other materials upon request

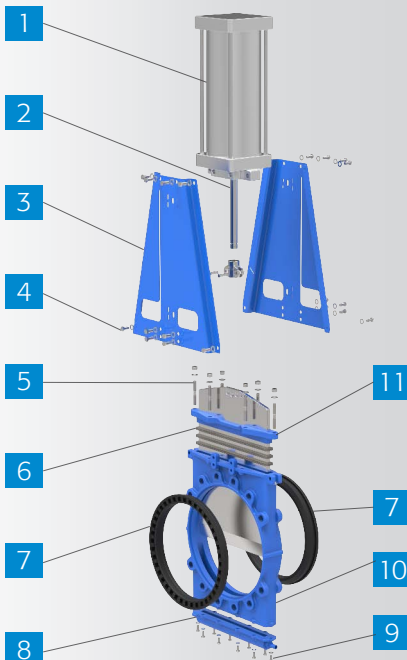
Packing: PTFE, EPDM

Application areas: Applicable in power plants, pharmaceuticals industry, petrochemical industry, food industry, paper-and-pulp industry.

Applicable medium: Coal, slag discharge, sewage, water, oil, steam, grout, gold powder, ores, pulp, wood pulp, wood pulp, tailings, fibers, dust, chemicals, drain from sedimentation tanks, asphalt, bunker waste, fruit juices, cereals, slaughter plant waste and other media.

Product Description:

NW Series bidirectional-sealing knife gate valves provide a better sealing effect achieved with two rubber seats. When the knife is fully open, the two seat seals are pressed towards each other tightly with no gaps left. While the valve is open, the gate can be arbitrarily removed and replaced. There is no need to remove the entire valve from the pipeline.



Code	Name	Material	QTY
1	Cylinder	Aluminum Alloy	1
2	Stem	Stainless steel	1
3	Yoke	Steel	2
4	Bolt	Stainless steel	N
5	Bolt & Nut	Stainless steel	N
6	Packing	EPDM/NBR/FKM/PTFE	3-5
7	Seat	EPDM/NBR/PTFE	2
8	Bottom Cap	F55/F53/CF3M/CF8M/CF8/WCB/GGG40	1
9	Bolt	Stainless steel	N
10	Body	F55/F53/CF3M/CF8M/CF8/WCB/GGG40	1
11	Packing Gland	GGG40/WCB/CF8	1

