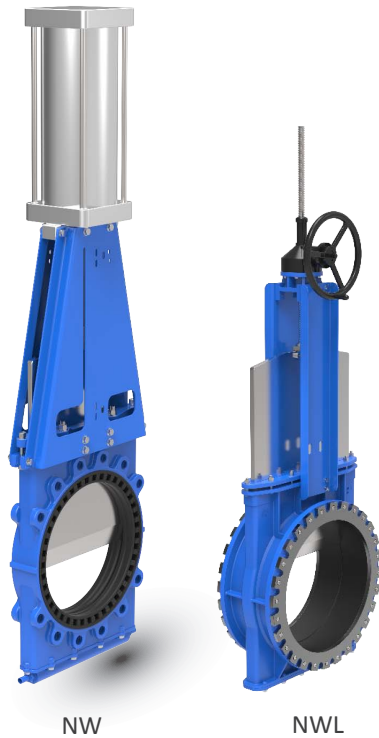


# NW/NWL

Series

Bi-directional Sealing Knife Gate Valve with 2 seat rings



NW

NWL

### Features:

- Bi-directional seal
- Additional seat
- Self-sealing design suitable for a variety of different conditions
- Easy cleaning achieved with a removable disc construction

<b>Model:</b> NW	<b>NWL</b>
<b>Working Pressure:</b> DN50-DN100/2"-4" 16bar	DN50-DN100/2"-4" 20bar
DN125-DN200/5"-8" 10bar	DN125-DN200/5"-8" 16bar
DN250-DN400/10"-16" 7bar	DN250-DN1000/10"-40" 10bar
DN600-DN700/24"-28" 3bar	DN1000-DN1400/40"-56" 6bar
DN800-DN900/32"-36" 2bar	
DN1000-DN1400/40"-56" 1bar	

**Type:** Wafer, Lug, Flange

**Design Standard:** MSS SP-81

**Flange Standard:** DIN EN 1092 / ANSI B16.5 / others

**Face to Face:** MSS SP-81 / customer specification

**Testing Standard:** DIN EN 12266 / API-598

**Operation:** handwheel, electric, pneumatic, hydraulic, sprocket, electro-hydraulic, gear

**Body material:** F55, F53, CF3M, CF8M, CF8, WCB, GGG40, customer specification

**Wedge material:** CF3M, CF3, CF8M, CF8, WCB, GGG40, F55, F53, 2205, SS310, SS316L, SS316, SS304, customer specification

**Sealing material:** NBR, EPDM, FKM, PTFE, other materials upon request

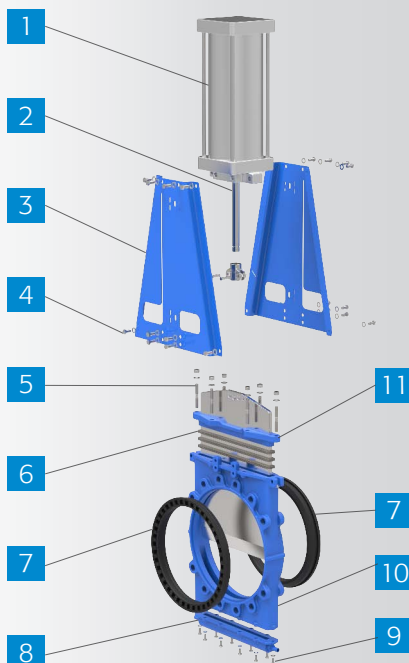
**Packing:** PTFE, EPDM

**Application areas:** Applicable in power plants, pharmaceuticals industry, petrochemical industry, food industry, paper-and-pulp industry.

**Applicable medium:** Coal, slag discharge, sewage, water, oil, steam, grout, gold powder, ores, pulp, wood pulp, wood pulp, tailings, fibers, dust, chemicals, drain from sedimentation tanks, asphalt, bunker waste, fruit juices, cereals, slaughter plant waste and other media.

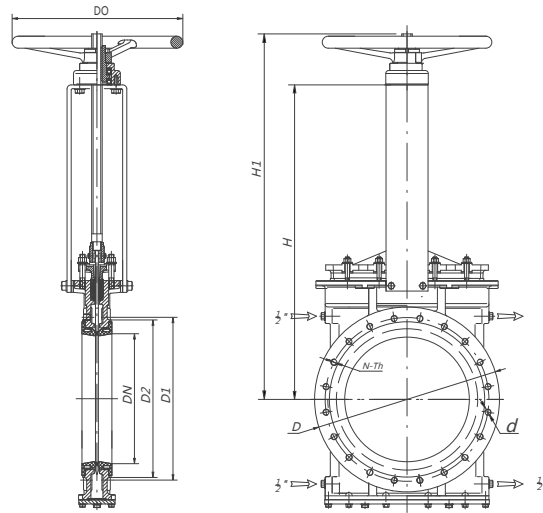
### Product Description:

NW Series bidirectional-sealing knife gate valves provide a better sealing effect achieved with two rubber seats. When the knife is fully open, the two seat seals are pressed towards each other tightly with no gaps left. While the valve is open, the gate can be arbitrarily removed and replaced. There is no need to remove the entire valve from the pipeline.



Code	Name	Material	QTY
1	Cylinder	Aluminum Alloy	1
2	Stem	Stainless steel	1
3	Yoke	Steel	2
4	Bolt	Stainless steel	N
5	Bolt & Nut	Stainless steel	N
6	Packing	EPDM/NBR/FKM/PTFE	3-5
7	Seat	EPDM/NBR/PTFE	2
8	Bottom Cap	F55/F53/CF3M/CF8M/CF8/WCB/GGG40	1
9	Bolt	Stainless steel	N
10	Body	F55/F53/CF3M/CF8M/CF8/WCB/GGG40	1
11	Packing Gland	GGG40/WCB/CF8	1

## Dimension



other dimensions upon request

unit:mm

DIN2632 PN10									DIN2633 PN16								
DN	L	D	D1	D2	D0	N-Th	d	H1	DN	L	D	D1	D2	D0	N-Th	d	H1
50	48	165	125	99	180	4-M16	Ø18	265	50	48	165	125	99	180	4-M16	Ø18	265
65	48	185	145	118	200	4-M16	Ø18	290	65	48	185	145	118	200	4-M16	Ø18	290
80	51	200	160	132	200	8-M16	Ø18	330	80	51	200	160	132	200	8-M16	Ø18	330
100	51	220	180	156	240	8-M16	Ø18	360	100	51	220	180	156	240	8-M16	Ø18	360
125	57	250	210	184	260	8-M16	Ø18	400	125	57	250	210	184	260	8-M16	Ø18	400
150	57	285	240	211	280	8-M20	Ø23	450	150	57	285	240	211	280	8-M20	Ø23	450
200	70	340	295	266	300	8-M20	Ø23	530	200	70	340	295	266	300	8-M20	Ø23	530
250	70	395	350	319	320	12-M20	Ø23	595	250	70	405	355	319	320	12-M24	Ø27	595
300	76	445	400	370	350	12-M20	Ø23	660	300	76	460	410	370	350	12-M24	Ø27	660
350	76	505	460	429	400	16-M20	Ø23	760	350	76	520	470	429	400	16-M24	Ø27	760
400	89	565	515	480	450	16-M24	Ø27	850	400	89	580	525	480	450	16-M27	Ø30	850
450	89	615	565	530	500	20-M24	Ø27	940	450	89	640	585	530	500	20-M27	Ø30	940
500	114	670	620	582	500	20-M24	Ø27	1050	500	114	715	650	582	500	20-M30	Ø33	1050
550	114	725	680	638	-	20-M27	Ø30	Gear	550	114	750	700	650	-	20-M30	Ø33	Gear
600	114	780	725	682	-	20-M27	Ø30	Gear	600	114	840	770	720	-	20-M33	Ø36	Gear
700	127	895	840	794	-	24-M27	Ø30	Gear	700	127	910	840	794	-	24-M33	Ø36	Gear
800	127	1015	950	901	-	24-M30	Ø30	Gear	800	127	1025	950	901	-	24-M36	Ø39	Gear
900	127	1115	1050	1001	-	28-M30	Ø30	Gear	900	127	1125	1050	1001	-	28-M36	Ø39	Gear
1000	149	1230	1160	1112	-	28-M33	Ø30	Gear	1000	149	1255	1170	1112	-	28-M39	Ø42	Gear
1100	149	1340	1260	1220	-	28-M33	Ø30	Gear	1100	149	1355	1270	1220	-	28-M39	Ø42	Gear
1200	156	1455	1380	1328	-	32-M36	Ø30	Gear	1200	156	1485	1390	1328	-	32-M45	Ø48	Gear
1350	171	1630	1540	1480	-	36-M39	Ø30	Gear	1350	171	1630	1540	1480	-	36-M45	Ø48	Gear
1400	171	1675	1590	1530	-	36-M39	Ø30	Gear	1400	171	1685	1590	1530	-	36-M45	Ø48	Gear