

NB Series

Unidirectional seal Knife Gate Valve with replaceable sealing



Model: NB

Working Pressure: DN50-DN100 / 2"-4" 16bar
DN125-DN200 / 5"-8" 10bar
DN250-DN400 / 10"-16" 7bar
DN600-DN700 / 24"-28" 3bar
DN800-DN900 / 32"-36" 2bar
DN1000-DN1400/40"-56" 1bar

Design Standard: MSS SP-81

Flange Standard: DIN EN 1092 / ANSI B16.5 / others

Face to Face: MSS SP-81 / customer specification

Testing Standard: DIN EN 12266 / API-598

Operation: manual, electric, pneumatic, hydraulic, sprocket, electro-hydraulic, gear

Body material: F55, F53, CF3M, CF8M, CF8, WCB, GGG40, customer specification

Wedge material: CF3M, CF3, CF8M, CF8, WCB, GGG40, F55, F53, 2205, SS310, SS316L, SS316, SS304, customer specification

Sealing material: NBR, EPDM, FKM, PTFE, other materials upon request

Packing: PTFE, EPDM

Application areas: Applicable in power plants, pharmaceuticals industry, petrochemical industry, food industry, paper-and-pulp industry.

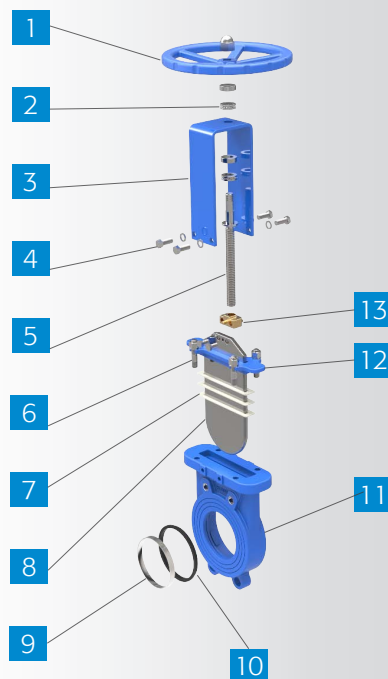
Applicable media: Coal, slag discharge, sewage, water, oil, steam, grout, gold powder, ores, pulp, wood pulp, tailings, fibers, dust, chemicals, drain from sedimentation tanks, asphalt, bunker waste, fruit juices, cereals, slaughter plant waste and other media.

Features:

- Unidirectional sealing
- 1PC body design
- Full port design
- Replaceable sealing

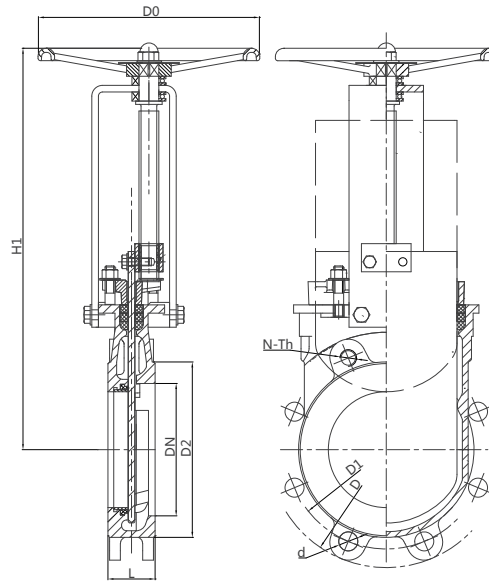
Product Description:

NB Series Knife gate valve construction includes a replaceable rubber seal knife gate, its sealing principle is realized by a close connection between the gate and the rubber seals. Its main characteristic is that the rubber sealing ring is set in the seat groove and is locked by the metal seat, which holds the rubber seal during opening and closing of the valve. If the seal is damaged, the metal seat can be removed in order to replace the rubber seal. Therefore, this valve is efficient and high-performance.



Code	Name	Material	QTY
1	Hand wheel	Steel	1
2	Bearing	ZChSnSb10-6	2
3	Yoke	Steel	1
4	Bolt	Stainless steel	N
5	Stem	Stainless steel	1
6	Bolt & Nut	Stainless steel	N
7	Packing	PTFE/EPDM	3-5
8	Gate Disc	SS201/SS304/SS316	1
9	Metal Ring	Q235/SS304/SS316	1
10	Seat	EPDM/NBR/FKM/PTFE	1
11	Body	F55/F53/CF3M/CF8M/CF8/WCB/GGG40	1
12	Packing Gland	F55/F53/CF3M/CF8M/CF8/WCB/GGG40	1
13	Stem Nut	Brass	1

Dimension



other dimensions upon request

unit:mm

DIN2632 PN10

DN	L	D	D1	D2	D0	N-Th	d	H1
50	48	165	125	99	180	4-M16	Ø18	310
65	48	185	145	118	200	4-M16	Ø18	330
80	51	200	160	132	200	8-M16	Ø18	360
90	51	210	170	142	220	8-M16	Ø18	390
100	51	220	180	156	240	8-M16	Ø18	400
125	57	250	210	184	260	8-M16	Ø18	460
150	57	285	240	211	280	8-M20	Ø23	510
175	57	305	265	237	280	12-M20	Ø23	554
200	70	340	295	266	300	8-M20	Ø23	570
225	70	350	310	282	300	12-M20	Ø23	636
250	70	395	350	319	320	12-M20	Ø23	670
300	76	445	400	370	350	12-M20	Ø23	800
350	76	505	460	429	400	16-M20	Ø23	890
400	89	565	515	480	450	16-M24	Ø27	1000
450	89	615	565	530	450	20-M24	Ø27	1160

DIN2633 PN16

DN	L	D	D1	D2	D0	N-Th	d	H1
50	48	165	125	99	180	4-M16	Ø18	360
65	48	185	145	118	200	4-M16	Ø18	380
80	51	200	160	132	200	8-M16	Ø18	410
90	51	210	170	142	220	8-M16	Ø18	439
100	51	220	180	156	240	8-M16	Ø18	445
125	57	250	210	184	260	8-M16	Ø18	490
150	57	285	240	211	280	8-M20	Ø23	560
175	57	305	265	237	280	12-M20	Ø23	610
200	70	340	295	266	300	12-M20	Ø23	630
225	70	350	310	282	300	12-M20	Ø23	713
250	70	405	350	319	320	12-M24	Ø27	760
300	76	460	410	370	350	12-M24	Ø27	885
350	76	520	470	429	400	16-M24	Ø27	950
400	89	580	525	480	450	16-M27	Ø30	1040
450	89	640	585	548	450	20-M27	Ø30	1180