



NY/NYL Series

Unidirectional seal Knife Gate Valve isolated from outside

Model: NY/NYL

Working Pressure NY: DN50-DN150 / 2"-6" 10bar
DN200 / 8" 8bar
DN250-DN300 / 10"-12" 6bar
DN350-DN400 / 14"-16" 5bar
DN450-DN600 / 18"-24" 3bar
DN700-DN1400 / 28"-56" 2Bar

Working Pressure NYL: DN50-DN2000/2"-80" 16bar
DN2200-DN3000/88"-120"10bar

Type: Wafer, Lug, Flange

Design Standard: MSS SP-81

Flange Standard: DIN EN 1092 / ANSI B16.5 / others

Face to Face: MSS SP-81 / customer specification

Testing Standard: DIN EN 12266 / API-598

Operation: handwheel, electric, pneumatic, hydraulic, sprocket, electro-hydraulic, gear

Body material: F55, F53, CF3M, CF8M, CF8, WCB, GGG40, customer specification

Wedge material: SS310, CF3M, CF3, CF8M, CF8 WCB, GGG40, F55, F53, 2205, SS310, SS316L, SS316, SS304, customer specification

Sealing material: NBR, EPDM, FKM, PTFE, other materials upon request

Packing: PTFE, EPDM

Application areas: Applicable in power plants, pharmaceuticals industry, petrochemical industry, food industry, paper-and-pulp industry.

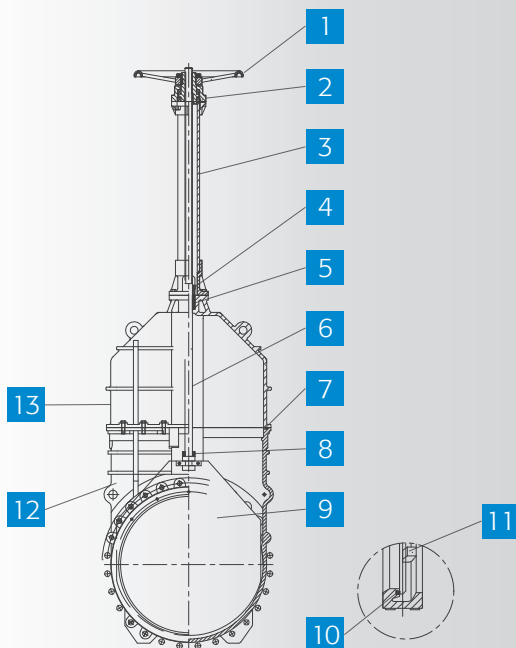
Applicable medium: Coal, slag discharge, sewage, water, oil, steam, grout, gold powder, ores, pulp, wood pulp, tailings, fibers, dust, chemicals, drain from sedimentation tanks, asphalt, bunker waste, fruit juices, cereals, slaughter plant waste and other media.

Features:

- Unidirectional seal
- Additional bonnet
- Isolated from outside environment

Product Description:

NY and NYL Series knife gate valves have a body completely isolated from the outside environment, therefore, they are suitable for the installation in sewage pipelines and the underground as well as underwater installation. If the gate is not isolated from the external environment (water, earth), then the serving life will become substantially shorter.



Code	Name	Material	QTY
1	Hand wheel	Steel	1
2	Yoke head	Steel	1
3	Yoke	Steel	1
4	Packing Gland	WCB/CF8/CF8M/2205	1
5	Packing	PTFE	3-5
6	Stem	Stainless steel	1
7	Body Seal	EPDM/NBR/FKM	1
8	Chuck	SS201/SS304	1
9	Disc	SS201/SS304/SS316	1
10	Seat	EPDM/NBR/FKM	1
11	Wedge	F55/F53/CF3M/CF8M/CF8/WCB/GGG40	2
12	Body	F55/F53/CF3M/CF8M/CF8/WCB/GGG40	1
13	Bonnet	F55/F53/CF3M/CF8M/CF8/WCB/GGG40	1-2

