

NV Series

Unidirectional seal Knife Gate Valve with open body and multipart seat



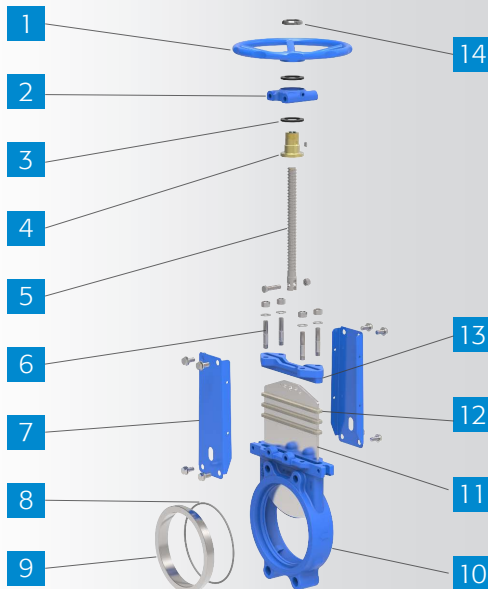
- Model:** NV
- Working pressure:** DN50-DN100/2"-4" 16bar
 DN125-DN200/5"-8" 10bar
 DN250-DN400/10"-16" 7bar
 DN600-DN700/24"-28" 3bar
 DN800-DN900/32"-36" 2bar
 DN1000-DN1400/40"-56" 1bar
- Type:** Wafer, Lug, Flange
- Design Standard:** MSS SP-81
- Flange Standard:** DIN EN 1092 / ANSI B16.5 / others
- Face to Face:** MSS SP-81 / customer specification
- Testing Standard:** DIN EN 12266 / API-598
- Operation:** handwheel, electric, pneumatic, hydraulic, sprocket, electro-hydraulic, gear
- Body material:** F55, F53, CF3M, CF8M, CF8, WCB, GGG40, customer specification
- Wedge material:** SS310, CF3M, CF3, CF8M, CF8 WCB, GGG40, F55, F53, 2205, SS310, SS316L, SS316, SS304, customer specification
- Sealing material:** NBR, EPDM, FKM, PTFE, other materials upon request
- Packing:** PTFE, EPDM
- Application areas:** Applicable in power plants, pharmaceuticals industry, petrochemical industry, food industry, paper-and-pulp industry.
- Applicable media:** Coal, slag discharge, sewage, water, oil, steam, grout, gold powder, ores, pulp, wood pulp, tailings, fibers, dust, chemicals, drain from sedimentation tanks, asphalt, bunker waste, fruit juices, cereals, slaughter plant waste and other media.

Features:

- Multipart seat improves the sealing performance
- Increased seat life

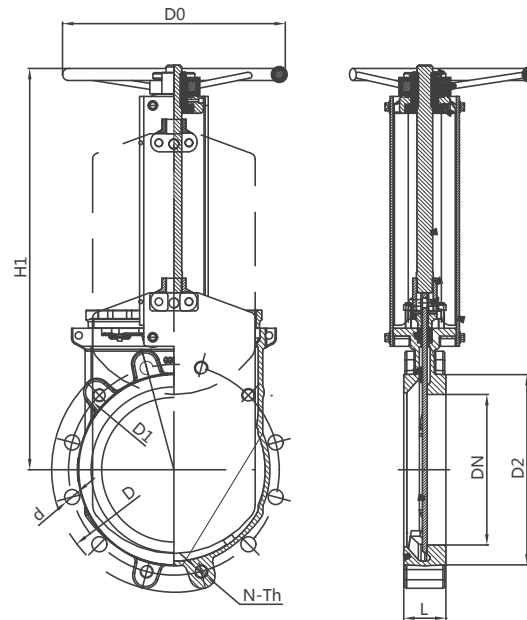
Product Description:

NV Series Knife gate valve construction includes a replaceable knife gate, its sealing principle is realized by a close connection between the gate and the rubber seals. Its main characteristic is that the elastomer sealing ring is set in the seat groove and is locked by the metal seat, which holds the elastomer seal during opening and closing of the valve. The stainless steel seat ring prevents the seal ring from falling off and prolongs the service life. Therefore, this valve is cost-efficient.



Code	Name	Material	QTY
1	Hand wheel	Steel	1
2	Yoke Cap	Steel	1
3	Bearing	GCr15	2
4	Stem Nut	Brass	1
5	Stem	Stainless steel	1
6	Bolt & Nut	Stainless steel	N
7	Yoke	Steel	2
8	Seat	EPDM/NBR/FKM/PTFE	1
9	Seat Gland	2Cr13/SS304/SS316	1
10	Body	F55/F53/CF3M/CF8M/CF8/WCB/GGG40	1
11	Disc	F55/F53/SS304/SS316/2205	1
12	Packing	PTFE/EPDM	3-5
13	Packing Gland	CF8M/CF8/WCB/GGG40	1
14	Stop Nut	Q235/SS304	1

Dimension



other dimensions upon request

unit:mm

DIN2632 PN10									DIN2633 PN16								
DN	L	D	D1	D2	D0	N-Th	d	H1	DN	L	D	D1	D2	D0	N-Th	d	H1
50	48	165	125	99	180	4-M16	Ø18	260	50	48	165	125	99	180	4-M16	Ø18	260
65	48	185	145	118	200	4-M16	Ø18	292	65	48	185	145	118	200	4-M16	Ø18	292
80	51	200	160	132	200	8-M16	Ø18	320	80	51	200	160	132	200	8-M16	Ø18	320
100	51	220	180	156	240	8-M16	Ø18	358	100	51	220	180	156	240	8-M16	Ø18	358
125	57	250	210	184	260	8-M16	Ø18	395	125	57	250	210	184	260	8-M16	Ø18	395
150	57	285	240	211	280	8-M20	Ø23	450	150	57	285	240	211	280	8-M20	Ø23	450
175	57	305	265	237	280	12-M20	Ø23	504	175	57	305	265	237	280	12-M20	Ø23	504
200	70	340	295	266	300	8-M20	Ø23	532	200	70	340	295	266	300	8-M20	Ø23	532
250	70	395	350	319	320	12-M20	Ø23	670	250	70	405	355	319	320	12-M24	Ø27	670
300	76	445	400	370	350	12-M20	Ø23	758	300	76	460	410	370	350	12-M24	Ø27	758
350	76	505	460	429	400	16-M20	Ø23	857	350	76	520	470	429	400	16-M24	Ø27	857
400	89	565	515	480	450	16-M24	Ø27	946	400	89	580	525	480	450	16-M27	Ø30	946
450	89	615	565	530	500	20-M24	Ø27	1023	450	89	640	585	530	500	20-M27	Ø30	1023
500	114	670	620	582	500	20-M24	Ø27	Gear	500	114	715	650	582	500	20-M30	Ø33	Gear
550	114	725	680	638	-	20-M27	Ø30	Gear	550	114	750	700	638	-	20-M30	Ø33	Gear
600	114	780	725	682	-	20-M27	Ø30	Gear	600	114	840	840	682	-	20-M33	Ø36	Gear
700	127	895	840	794	-	24-M27	Ø30	Gear	700	127	910	950	794	-	24-M33	Ø36	Gear
800	127	1015	950	901	-	24-M30	Ø33	Gear	800	127	1025	950	901	-	24-M36	Ø39	Gear
900	127	1115	1050	1001	-	28-M30	Ø33	Gear	900	127	1125	1000	1001	-	28-M36	Ø39	Gear
1000	149	1230	1160	1112	-	28-M33	Ø36	Gear	1000	149	1255	1170	1112	-	28-M39	Ø42	Gear
1100	149	1340	1260	1220	-	28-M33	Ø36	Gear	1100	149	1355	1270	1220	-	28-M39	Ø42	Gear
1200	156	1455	1380	1328	-	32-M36	Ø39	Gear	1200	156	1485	1390	1328	-	32-M45	Ø48	Gear
1400	1675	1675	1590	1530	-	40-M39	Ø42	Gear	1400	1675	1685	1540	1530	-	40-M45	Ø48	Gear