



NVY Series

Unidirectional and bidirectional seal medium pressure gate valve

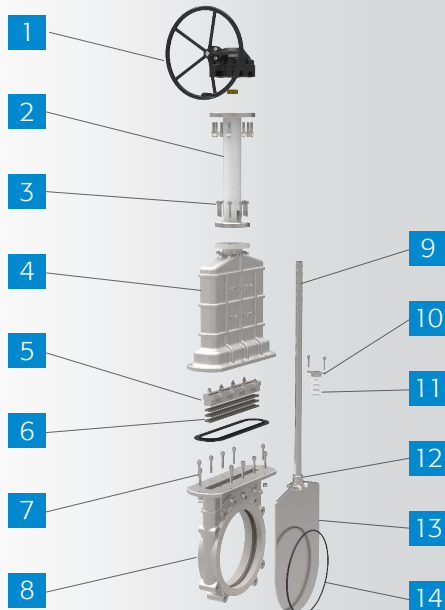
- Model:** NVY
- Working Pressure:** DN50-DN2000/2"-80" 25bar
DN2200-DN3000/88"-120" 16bar
- Type:** Wafer, Lug, Flange
- Design Standard:** MSS SP-81
- Flange Standard:** DIN EN 1092 / ANSI B16.5 / others
- Face to Face:** MSS SP-81 / customer specification
- Testing Standard:** DIN EN 12266 / API-598
- Operation:** handwheel, electric, pneumatic, hydraulic, sprocket, electro-hydraulic, gear
- Body material:** F55, F53, CF3M, CF8M, CF8, WCB, GGG40, customer specification
- Wedge material:** SS310, CF3M, CF3, CF8M, CF8, WCB, GGG40, F55, F53, 2205, SS310, SS316L, SS316, SS304, customer specification
- Sealing material:** NBR, EPDM, FKM, PTFE, other materials upon request
- Packing:** PTFE, EPDM
- Application areas:** Applicable in power plants, pharmaceuticals industry, petrochemical industry, food industry, paper-and-pulp industry.
- Applicable medium:** Coal, slag discharge, sewage, water, oil, steam, grout, gold powder, ores, pulp, wood pulp, tailings, fibers, dust, chemicals, drain from sedimentation tanks, asphalt, bunker waste, fruit juices, cereals, slaughter plant waste and other media.

Features:

- Uni- or bi-directional seal
- Additional bonnet which provides a double protection
- The packing gland keeps medium residuals out of the bonnet

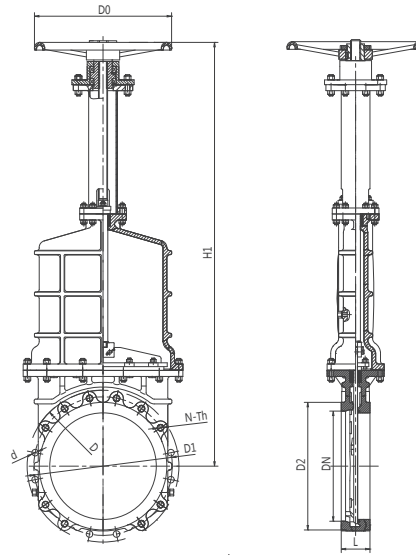
Product Description:

NVY Series valves are double sealing middle pressure knife gate valves including a bonnet and a packing gland. The packing gland gathers the medium residuals left on the knife and prevents their movement upward. The fully closed bonnet effectively prevents a leakage and is equipped with a flushing point.



| Code | Name | Material | QTY |
|------|---------------|---------------------------------|-----|
| 1 | Gear box | Q235 | 1 |
| 2 | Yoke | Steel | 1 |
| 3 | Bolt & nut | Stainless steel | N |
| 4 | Bonnet | F55/F53/CF3M/CF8M/CF8/WCB/GGG40 | 1 |
| 5 | Packing gland | F55/F53/CF3M/CF8M/CF8/WCB/GGG40 | 1 |
| 6 | Packing | EPDM/NBR/FKM/PTFE | 3-5 |
| 7 | Bolt & nut | Stainless steel | N |
| 8 | Body | F55/F53/CF3M/CF8M/CF8/WCB/GGG40 | 1 |
| 9 | Stem | Stainless steel | 1 |
| 10 | Packing gland | F55/F53/CF3M/CF8M/CF8/WCB/GGG40 | 1 |
| 11 | Packing | PTFE | 3-5 |
| 12 | Chuck | SS201/SS304/SS316/2205 | 1 |
| 13 | Disc | SS304/SS316/2205 | 1 |
| 14 | Seat | EPDM/NBR/FKM | 1 |

Dimension



other dimensions upon request

unit:mm

| DIN2632 PN10 | | | | | | | | | DIN2633 PN16 | | | | | | | | |
|--------------|-----|------|------|------|-----|--------|-----|------|--------------|-----|------|------|------|-----|--------|-----|------|
| DN | L | D | D1 | D2 | D0 | N-Th | d | H1 | DN | L | D | D1 | D2 | D0 | N-Th | d | H1 |
| 50 | 48 | 165 | 125 | 99 | 180 | 4-M16 | Ø18 | 292 | 50 | 48 | 165 | 125 | 99 | 180 | 4-M16 | Ø18 | 292 |
| 65 | 48 | 185 | 145 | 118 | 200 | 4-M16 | Ø18 | 320 | 65 | 48 | 185 | 145 | 118 | 200 | 4-M16 | Ø18 | 320 |
| 80 | 51 | 200 | 160 | 132 | 200 | 8-M16 | Ø18 | 348 | 80 | 51 | 200 | 160 | 132 | 200 | 8-M16 | Ø18 | 348 |
| 100 | 51 | 220 | 180 | 156 | 240 | 8-M16 | Ø18 | 395 | 100 | 51 | 220 | 180 | 156 | 240 | 8-M16 | Ø18 | 395 |
| 125 | 57 | 250 | 210 | 184 | 260 | 8-M16 | Ø18 | 450 | 125 | 57 | 250 | 210 | 184 | 260 | 8-M16 | Ø18 | 450 |
| 150 | 57 | 285 | 240 | 211 | 280 | 8-M20 | Ø23 | 504 | 150 | 57 | 285 | 240 | 211 | 280 | 8-M20 | Ø23 | 504 |
| 200 | 70 | 340 | 295 | 266 | 300 | 8-M20 | Ø23 | 617 | 200 | 70 | 340 | 295 | 266 | 300 | 8-M20 | Ø23 | 617 |
| 250 | 70 | 395 | 350 | 319 | 320 | 12-M20 | Ø23 | 758 | 250 | 70 | 405 | 355 | 319 | 320 | 12-M24 | Ø27 | 758 |
| 300 | 76 | 445 | 400 | 370 | 350 | 12-M20 | Ø23 | 857 | 300 | 76 | 460 | 410 | 370 | 350 | 12-M24 | Ø27 | 857 |
| 350 | 76 | 505 | 460 | 429 | 400 | 16-M20 | Ø23 | 946 | 350 | 76 | 520 | 470 | 429 | 400 | 16-M24 | Ø27 | 946 |
| 400 | 89 | 565 | 515 | 480 | 450 | 16-M24 | Ø27 | 1023 | 400 | 89 | 580 | 525 | 480 | 450 | 16-M27 | Ø30 | 1023 |
| 450 | 89 | 615 | 565 | 530 | 500 | 20-M24 | Ø27 | 1091 | 450 | 89 | 640 | 585 | 530 | 500 | 20-M27 | Ø30 | 1091 |
| 500 | 114 | 670 | 620 | 582 | 500 | 20-M24 | Ø27 | 1148 | 500 | 114 | 715 | 650 | 582 | 500 | 20-M30 | Ø33 | 1148 |
| 550 | 114 | 725 | 680 | 638 | - | 20-M27 | Ø30 | Gear | 550 | 114 | 750 | 700 | 650 | - | 20-M30 | Ø33 | Gear |
| 600 | 114 | 780 | 725 | 682 | - | 20-M27 | Ø30 | Gear | 600 | 114 | 840 | 770 | 720 | - | 20-M33 | Ø36 | Gear |
| 700 | 127 | 895 | 840 | 794 | - | 24-M27 | Ø30 | Gear | 700 | 127 | 910 | 840 | 794 | - | 24-M33 | Ø36 | Gear |
| 800 | 127 | 1015 | 950 | 901 | - | 24-M30 | Ø30 | Gear | 800 | 127 | 1025 | 950 | 901 | - | 24-M36 | Ø39 | Gear |
| 900 | 127 | 1115 | 1050 | 1001 | - | 28-M30 | Ø30 | Gear | 900 | 127 | 1125 | 1050 | 1001 | - | 28-M36 | Ø39 | Gear |
| 1000 | 149 | 1230 | 1160 | 1112 | - | 28-M33 | Ø30 | Gear | 1000 | 149 | 1255 | 1170 | 1112 | - | 28-M39 | Ø42 | Gear |
| 1100 | 149 | 1340 | 1260 | 1220 | - | 28-M33 | Ø30 | Gear | 1100 | 149 | 1355 | 1270 | 1220 | - | 28-M39 | Ø42 | Gear |
| 1200 | 156 | 1455 | 1380 | 1328 | - | 32-M36 | Ø30 | Gear | 1200 | 156 | 1485 | 1390 | 1328 | - | 32-M45 | Ø48 | Gear |
| 1350 | 171 | 1630 | 1540 | 1480 | - | 36-M39 | Ø30 | Gear | 1350 | 171 | 1630 | 1540 | 1480 | - | 36-M45 | Ø48 | Gear |
| 1400 | 171 | 1675 | 1590 | 1530 | - | 36-M39 | Ø30 | Gear | 1400 | 171 | 1685 | 1590 | 1530 | - | 36-M45 | Ø48 | Gear |
| 1500 | 198 | 1795 | 1705 | 1640 | - | 40-M39 | Ø30 | Gear | 1500 | 198 | 1795 | 1705 | 1635 | - | 40-M45 | Ø48 | Gear |
| 1600 | 198 | 1915 | 1820 | 1750 | - | 40-M45 | Ø30 | Gear | 1600 | 198 | 1930 | 1820 | 1750 | - | 40-M52 | Ø55 | Gear |
| 1800 | 219 | 2115 | 2020 | 1950 | - | 44-M45 | Ø30 | Gear | 1800 | 219 | 2130 | 2020 | 1950 | - | 44-M52 | Ø55 | Gear |
| 2000 | 250 | 2325 | 2230 | 2150 | - | 48-M45 | Ø30 | Gear | 2000 | 250 | 2345 | 2230 | 2150 | - | 48-M56 | Ø59 | Gear |