



NY/NYL Series

Unidirectional seal Knife Gate Valve isolated from outside

Model: NY/NYL

Working Pressure NY: DN50-DN150 / 2"-6" 10bar
 DN200 / 8" 8bar
 DN250-DN300 / 10"-12" 6bar
 DN350-DN400 / 14"-16" 5bar
 DN450-DN600 / 18"-24" 3bar
 DN700-DN1400 / 28"-56" 2Bar

Working Pressure NYL: DN50-DN2000/2"-80" 16bar
 DN2200-DN3000/88"-120"10bar

Type: Wafer, Lug, Flange

Design Standard: MSS SP-81

Flange Standard: DIN EN 1092 / ANSI B16.5 / others

Face to Face: MSS SP-81 / customer specification

Testing Standard: DIN EN 12266 / API-598

Operation: handwheel, electric, pneumatic, hydraulic, sprocket, electro-hydraulic, gear

Body material: F55, F53, CF3M, CF8M, CF8, WCB, GGG40, customer specification

Wedge material: SS310, CF3M, CF3, CF8M, CF8 WCB, GGG40, F55, F53, 2205, SS310, SS316L, SS316, SS304, customer specification

Sealing material: NBR, EPDM, FKM, PTFE, other materials upon request

Packing: PTFE, EPDM

Application areas: Applicable in power plants, pharmaceuticals industry, petrochemical industry, food industry, paper-and-pulp industry.

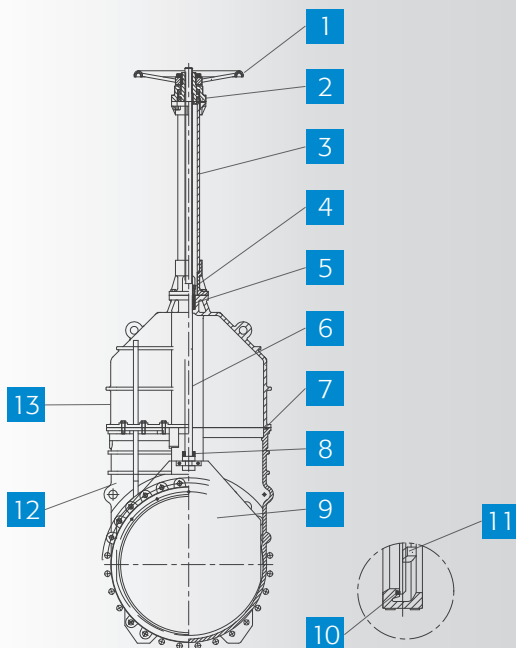
Applicable medium: Coal, slag discharge, sewage, water, oil, steam, grout, gold powder, ores, pulp, wood pulp, tailings, fibers, dust, chemicals, drain from sedimentation tanks, asphalt, bunker waste, fruit juices, cereals, slaughter plant waste and other media.

Features:

- Unidirectional seal
- Additional bonnet
- Isolated from outside environment

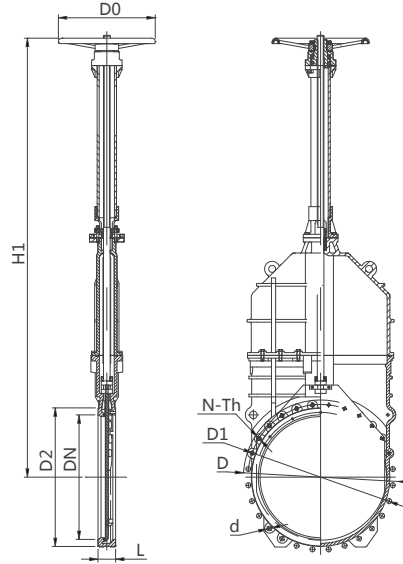
Product Description:

NY and NYL Series knife gate valves have a body completely isolated from the outside environment, therefore, they are suitable for the installation in sewage pipelines and the underground as well as underwater installation. If the gate is not isolated from the external environment (water, earth), then the serving life will become substantially shorter.



Code	Name	Material	QTY
1	Hand wheel	Steel	1
2	Yoke head	Steel	1
3	Yoke	Steel	1
4	Packing Gland	WCB/CF8/CF8M/2205	1
5	Packing	PTFE	3-5
6	Stem	Stainless steel	1
7	Body Seal	EPDM/NBR/FKM	1
8	Chuck	SS201/SS304	1
9	Disc	SS201/SS304/SS316	1
10	Seat	EPDM/NBR/FKM	1
11	Wedge	F55/F53/CF3M/CF8M/CF8/WCB/GGG40	2
12	Body	F55/F53/CF3M/CF8M/CF8/WCB/GGG40	1
13	Bonnet	F55/F53/CF3M/CF8M/CF8/WCB/GGG40	1-2

Dimension



other dimensions upon request

unit:mm

DIN2632 PN10									DIN2633 PN16								
DN	L	D	D1	D2	D0	N-Th	d	H1	DN	L	D	D1	D2	D0	N-Th	d	H1
50	48	165	125	99	180	4-M16	Ø18	292	50	48	165	125	99	180	4-M16	Ø18	292
65	48	185	145	118	200	4-M16	Ø18	320	65	48	185	145	118	200	4-M16	Ø18	320
80	51	200	160	132	200	8-M16	Ø18	348	80	51	200	160	132	200	8-M16	Ø18	348
100	51	220	180	156	240	8-M16	Ø18	395	100	51	220	180	156	240	8-M16	Ø18	395
125	57	250	210	184	260	8-M16	Ø18	450	125	57	250	210	184	260	8-M16	Ø18	450
150	57	285	240	211	280	8-M20	Ø23	504	150	57	285	240	211	280	8-M20	Ø23	504
200	70	340	295	266	300	8-M20	Ø23	617	200	70	340	295	266	300	8-M20	Ø23	617
250	70	395	350	319	320	12-M20	Ø23	758	250	70	405	355	319	320	12-M24	Ø27	758
300	76	445	400	370	350	12-M20	Ø23	857	300	76	460	410	370	350	12-M24	Ø27	857
350	76	505	460	429	400	16-M20	Ø23	946	350	76	520	470	429	400	16-M24	Ø27	946
400	89	565	515	480	450	16-M24	Ø27	1023	400	89	580	525	480	450	16-M27	Ø30	1023
450	89	615	565	530	500	20-M24	Ø27	1091	450	89	640	585	530	500	20-M27	Ø30	1091
500	114	670	620	582	500	20-M24	Ø27	1148	500	114	715	650	582	500	20-M30	Ø33	1148
550	114	725	680	638	-	20-M27	Ø30	Gear	550	114	750	700	650	-	20-M30	Ø33	Gear
600	114	780	725	682	-	20-M27	Ø30	Gear	600	114	840	770	720	-	20-M33	Ø36	Gear
700	127	895	840	794	-	24-M27	Ø30	Gear	700	127	910	840	794	-	24-M33	Ø36	Gear
800	127	1015	950	901	-	24-M30	Ø30	Gear	800	127	1025	950	901	-	24-M36	Ø39	Gear
900	127	1115	1050	1001	-	28-M30	Ø30	Gear	900	127	1125	1050	1001	-	28-M36	Ø39	Gear
1000	149	1230	1160	1112	-	28-M33	Ø30	Gear	1000	149	1255	1170	1112	-	28-M39	Ø42	Gear
1100	149	1340	1260	1220	-	28-M33	Ø30	Gear	1100	149	1355	1270	1220	-	28-M39	Ø42	Gear
1200	156	1455	1380	1328	-	32-M36	Ø30	Gear	1200	156	1485	1390	1328	-	32-M45	Ø48	Gear
1350	171	1630	1540	1480	-	36-M39	Ø30	Gear	1350	171	1630	1540	1480	-	36-M45	Ø48	Gear
1400	171	1675	1590	1530	-	36-M39	Ø30	Gear	1400	171	1685	1590	1530	-	36-M45	Ø48	Gear
1500	198	1795	1705	1640	-	40-M39	Ø30	Gear	1500	198	1795	1705	1635	-	40-M45	Ø48	Gear
1600	198	1915	1820	1750	-	40-M45	Ø30	Gear	1600	198	1930	1820	1750	-	40-M52	Ø55	Gear
1800	219	2115	2020	1950	-	44-M45	Ø30	Gear	1800	219	2130	2020	1950	-	44-M52	Ø55	Gear
2000	250	2325	2230	2150	-	48-M45	Ø30	Gear	2000	250	2345	2230	2150	-	48-M56	Ø59	Gear